



**Quality is our hallmark**

# Z70

Mobile



The Z70 mobile model has a great versatility. The unit was designed exclusively for this version.

The tube head is 70 kVp and 7 mA.

The Z70 provides clear radiographies with reduced times of exposition



Unit Control



Clear radiographies with contrast and high image definition

The Unit Control is microprocessed and it has pre-programmed functions. It allows to chose patient size, tooth type, RVG or manual operation.

The time selection is from 0.06 to 2.50 seconds.

**Z70**  
Wall Mounted



Very tight and accurate counter balance arm with solid and high quality



**Z70**

**Z70 Dental X-Ray Unit**  
**Diagnosis through high-resolution imaging**

Made with tubular steel and strong aluminum structure, allowing smooth and accurate movements with a great mobility. XZeal Z70 has been developed to produce X-rays of excellent quality, high image definition and lower exposure time for the patient.

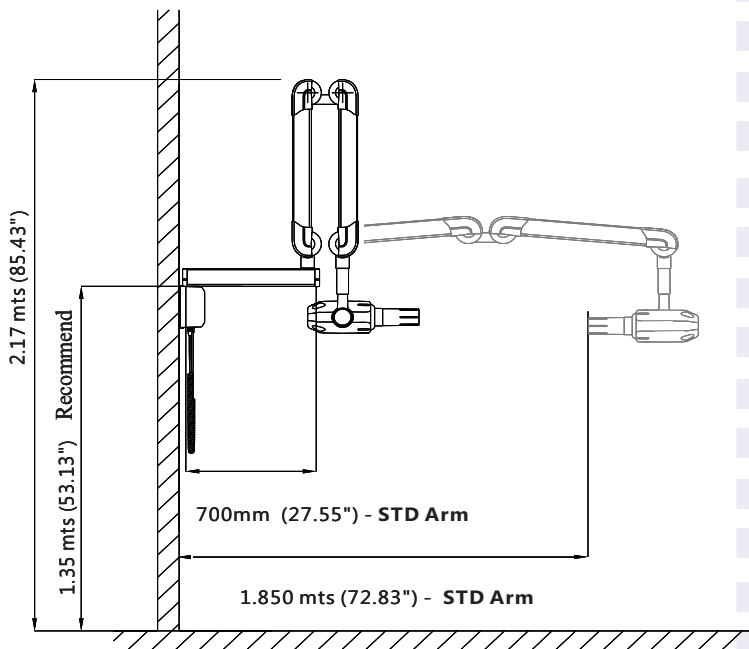
All with the highest degree of safety for both operator and patient, complying with international quality and radiological safety standards.

**Handheld Control**  
**All settings in your hands**

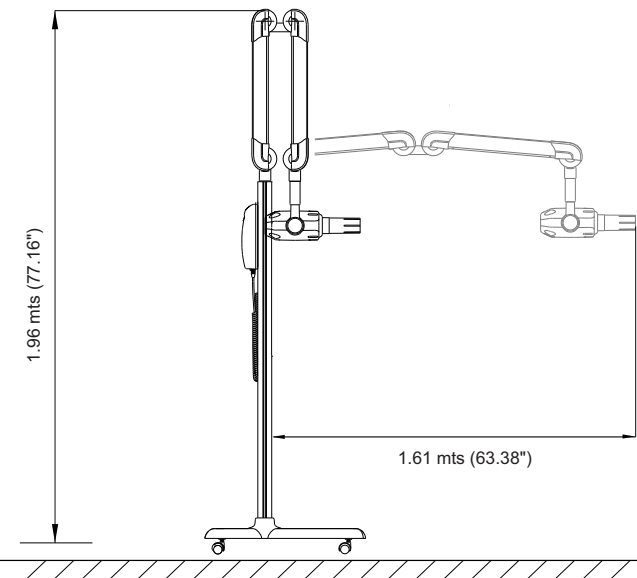


# General Specifications

**Wall Mounted model**



**Mobile model**



## Important Information about Installation

The Z70 Wall mounted model is prepared to be installed in a "Single Stud" (4x4), "Double Stud" (16" - Wall plating included) and Block Wall. For "Passthrough" installation is required a minimum width of 14" (template with details available upon request). Also possible to adapt Push Button and Remote Control.

## Z70 Technical Data

Power input ~(VAC)	120 or 230 VAC
Nominal current	9 A - 4.5 A
Mains frequency	50 / 60 Hz
Maximum power	900 Watts
Tube voltage	70 kVp (± 10 %)
Tube current	7mA
Total filtration	≥1.5 mm Al/Equiv.
Exposure time	0.06 to 2.50 s
Working cycle	1 s / 30s
Focus - SSD	200mm
Radiation field	60 mm
Leak radiation	<7 mR/h @ 1 m



XZeal Technologies, Inc.  
 3605 Commerce Blvd - Suite G  
 34741 - Kissimmee - FL - USA  
 Phone: 1 (407) 483-8859  
 e-mail: info@xzeal.us - www.xzeal.us



**Made in USA**  
**2 Years Warranty**