



The tube head is 70 kVp and 7 mA.

The Z70<sub>AC</sub> provides clear radiographs with reduced times of exposition

Very tight and accurate counter balance arm prevents drifting

Compatible with film, PSP plate systems and Dental Sensors

New TOSHIBA™ X-Ray Tube



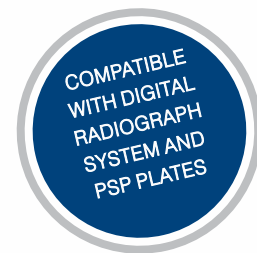
**Z70<sub>AC</sub>**

The image shows a white dental X-ray unit on a grey base with four casters. It has a vertical column with a control panel and a long, articulated arm that can be positioned in various directions. The arm ends in a tube head. The unit is shown from a three-quarter perspective.

**Z70<sub>AC</sub> Dental X-Ray Unit**  
**Diagnosis through high-resolution imaging**

Made with tubular steel and strong aluminum structure, XZeal Z70<sub>AC</sub> allows smooth and accurate movements with a great mobility. The unit has been developed to produce X-rays of excellent quality with high image definition and lower exposure time for the patient.

XZeal units provide the highest degree of safety for both operator and patient, complying with international quality and radiological safety standards.



**Quality is our Hallmark**

# General Specifications

## Z70Ac Mobile Control Panel



- Automatic setting of exposure time
- Friendly control panel functions
- Adult and child selection
- All settings in your hand with coiled cable

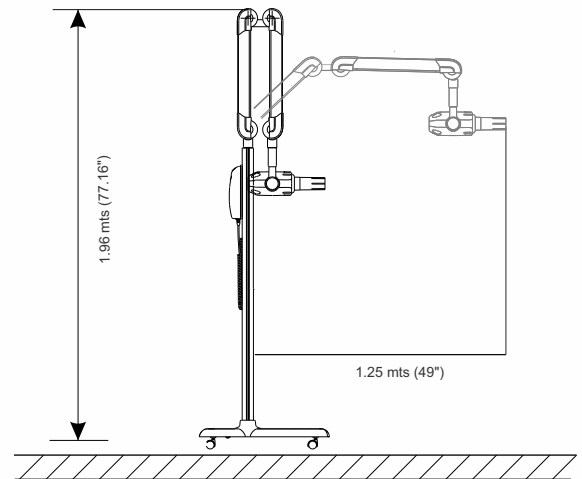
## Z70Ac Technical Data

- Power input ~-(VAC) 120 VAC
- Nominal current 8 A - 4 A
- Mains frequency 50 / 60 Hz
- Maximum power 0.9 kW
- Tube voltage 70 kVp ( $\pm 10\%$ )
- Tube current 7mA ( $\pm 15\%$ )
- Total filtration  $\geq 2.1$  mm Al/Equiv./70kV
- Exposure time 0.06 to 2.50 s
- Working cycle 1/30s
- Focus - SSD 220mm
- Radiation field  $\leq 60$  mm
- Leak radiation  $< 0.25$  mG/h @ 1 m

## Mobile Measures

### Z70 Working Measures

XZeal recommends a minimum work measure for the mobile unit:  
Diameter: 1.60 mts (63.38") and height: 2.20 mts (86.61")



XZeal Technologies, Inc.  
3605 Commerce Blvd - Suite G  
34741 - Kissimmee - FL - USA  
Phone: 1 (407) 518-9111  
Fax: 1 (407) 933-4003  
e-mail: info@xzeal.us - www.xzeal.us

